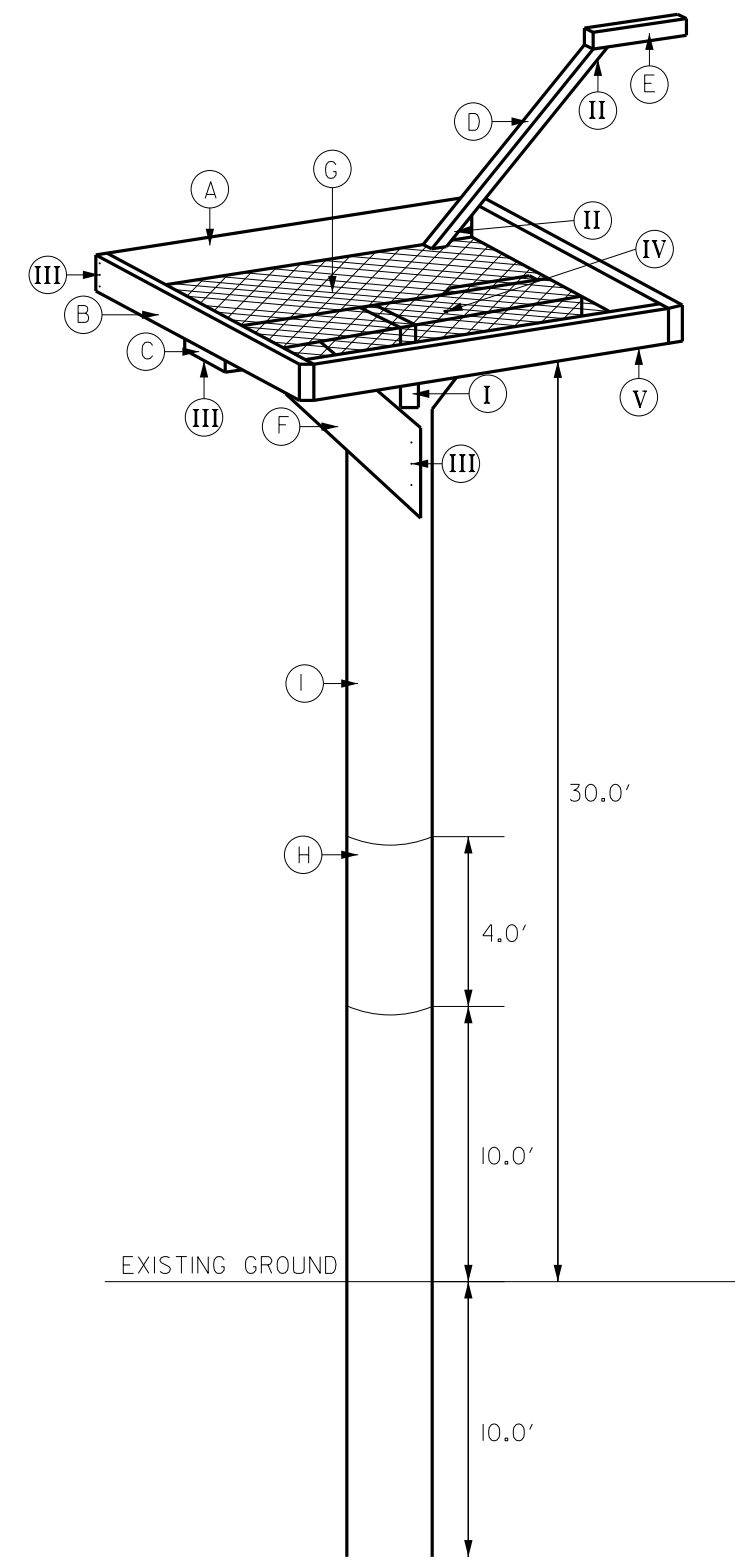
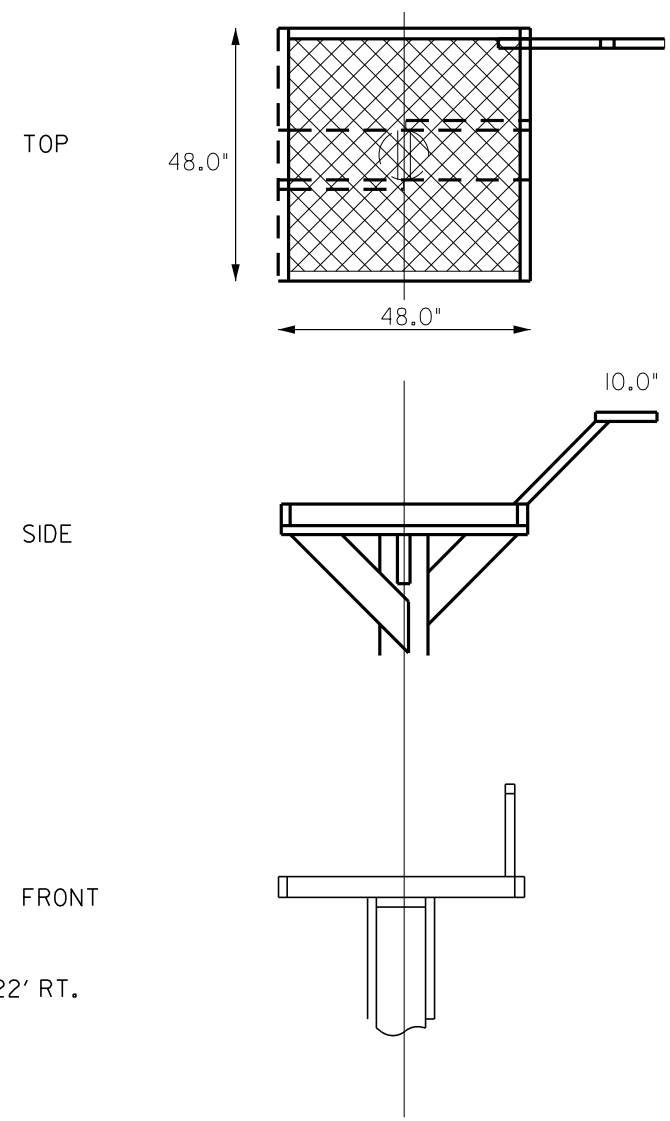


OSPREY PLATFORM WOOD POLE MOUNT



NOTE: TWO INSTALLATIONS ARE REQUIRED: STA. 27+91, 322' LT. AND 28+34, 322' RT.

LIST OF MATERIALS (SHOWN FOR SINGLE INSTALLATION):

- A) 2 EA. 45" x 2" x 4" PRESSURE TREATED LUMBER
- B) 2 EA. 48" x 2" x 4" PRESSURE TREATED LUMBER
- C) 1 EA. 48" x 2" x (8") PRESSURE TREATED LUMBER
- D) 1 EA. 24" x 2" x 2" PRESSURE TREATED LUMBER
- E) 1 EA. 10" x 2" x 2" PRESSURE TREATED LUMBER
- F) 2 EA. 22" (LONG SIDE) 5/4" BRACES CUT AT 45 DEGREE ANGLES
- G) 1 EA. 48" SQUARE OF CHAIN LINK FENCE
- H) 1 EA. 4' x 18 GAUGE ALUMINUM FLASHING
- I) 1 EA. TREATED TIMBER POLE, CL 2, 40 FT

- I) 1 EA. 24" GALVANIZED STEEL STRAP
- II) 4 EA. GALVANIZED SCREWS (3 1/2") OR DECK SCREWS (PRE-DRILLED WITH 9/64" TO PREVENT SPLITTING)
- III) 32 EA. 16 PENNY GALVANIZED RING SHANK NAILS (PRE-DRILL WITH 9/64" TO PREVENT SPLITTING)
- IV) 20 EA. 1 1/8" GALVANIZED FENCE STAPLES
- V) 10 EA. 1 1/4" GALVANIZED STRAPPING NAILS

REVISION DATES		

STATE OF GEORGIA
DEPARTMENT OF TRANSPORTATION
OFFICE: PROGRAM DELIVERY
SPECIAL CONSTRUCTION DETAIL
SR 53 OVER CHESTATEE RIVER

DRAWING No. 38-003